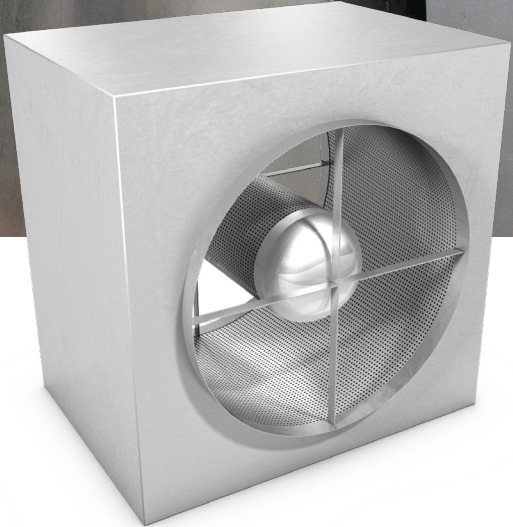


# AFS

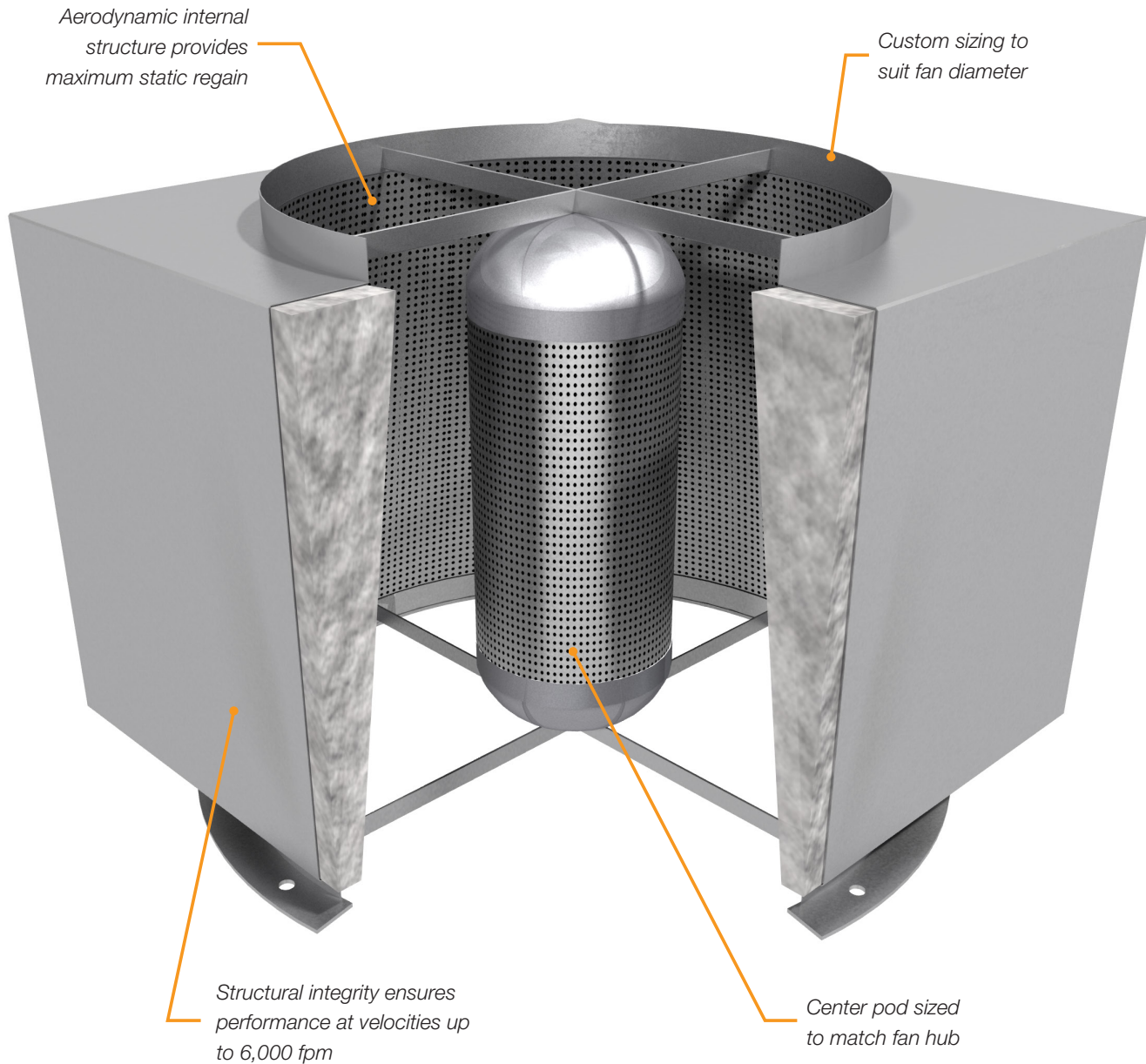
AXIAL FAN SILENCER



# AFS

## Axial Fan Silencer

Axial fan silencers are designed to provide noise attenuation at the source, as well as improve aerodynamic performance at the fan inlet and discharge. The AFS provides maximum static regain and a uniform velocity profile to improve system efficiency and reduce energy consumption.

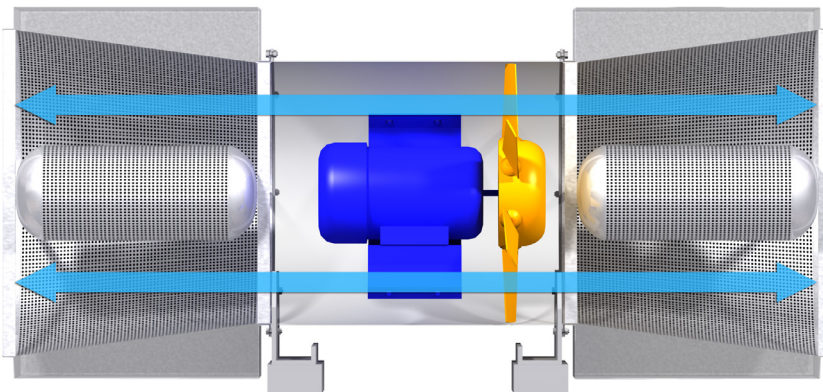


## CUSTOM CONSTRUCTION FOR SUPERIOR SOUND PERFORMANCE

- + The AFS pod diameter is built to match the fan hub, providing a smooth air path that increases energy efficiency by reducing system pressure drop.

## IDEAL FOR HIGH VELOCITY APPLICATIONS

- + The AFS is ideal for applications with high air velocities.
- + The internal baffles configuration provides excellent insertion loss across the full range of frequencies, and the curved inlet and outlet of the center pod reduce turbulence to maximize static regain and improve pressure drop.



*AFS airflow*

## FIRE RATED

- + Class 1 index: flame/smoke < 25/50
- + ASTM E84, UL 723, NFPA 255

## TYPICAL APPLICATIONS

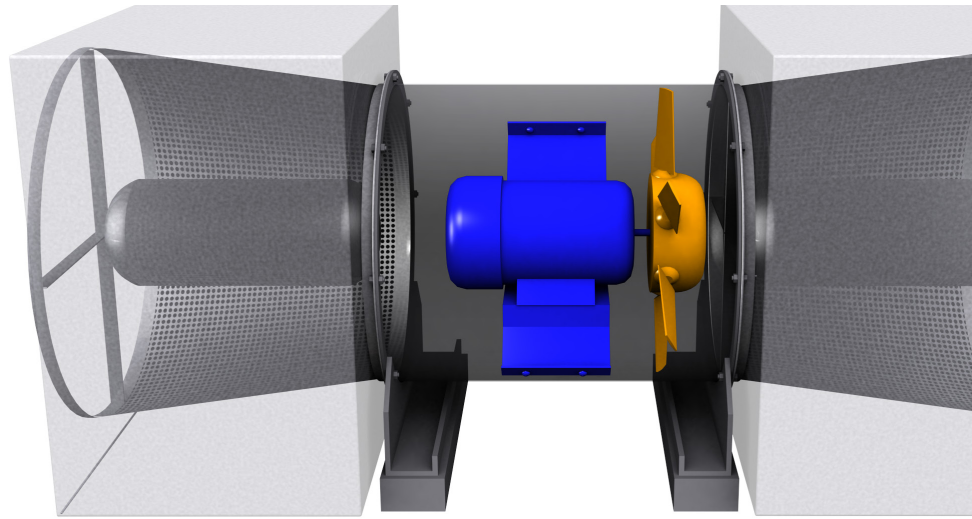
AFS silencers are custom built for close coupling to axial fans and are available for both the fan inlet and discharge for maximum sound attenuation.

### CONSTRUCTION OPTIONS

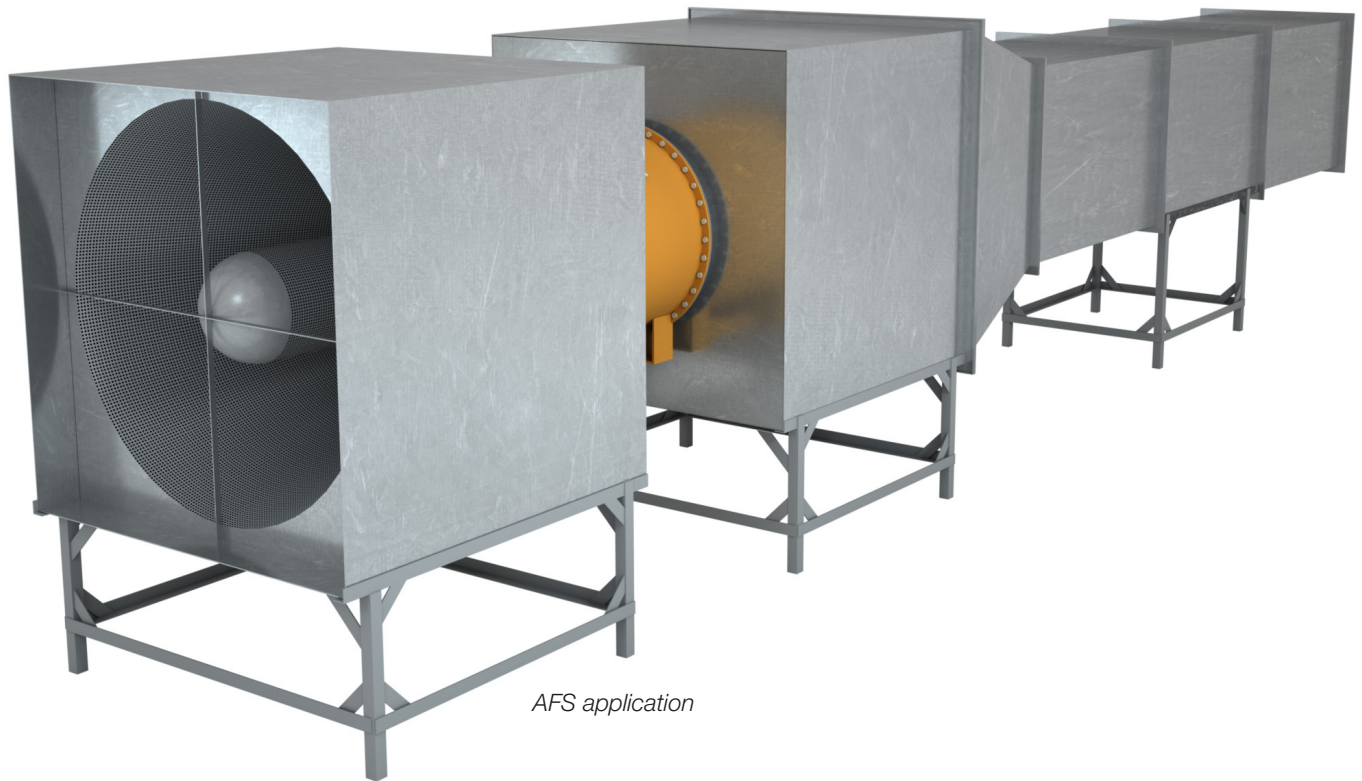
- + Material Type
  - 22 gauge
  - 18 gauge
  - 16 gauge
- + Material
  - Galvanized Steel
  - Aluminum
  - 304 Stainless Steel
  - 316 Stainless Steel
  - Galvaneal
- + Optional Features
  - Paint
  - Fiberglass cloth
  - Flanges
  - Transitions
  - Mounting feet
  - Plastic covered ends for shipping

### QUALITY CONSTRUCTION

- + The structural integrity of the AFS design ensures reliable performance at fan velocities up to 6,000 fpm.
- + These silencers are available in various construction classifications to meet the specific requirements of each project. The minimum classification available will depend on the diameter of the silencer.



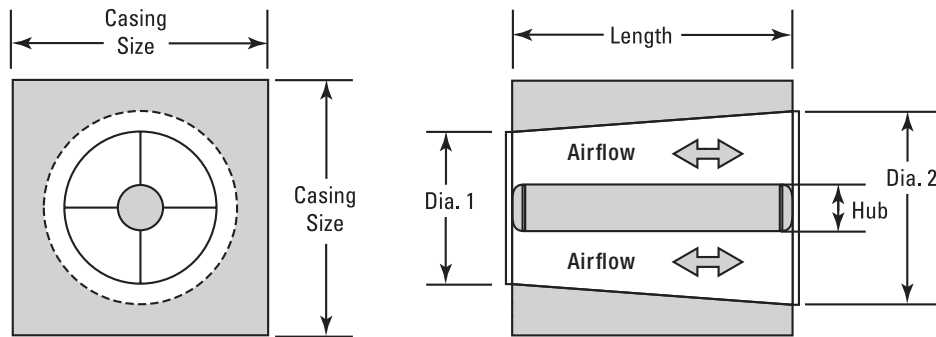
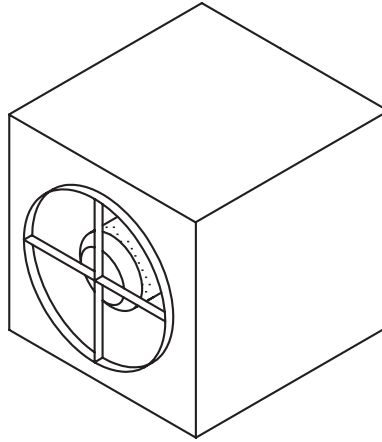
*AFS installed*



*AFS application*

## DIMENSIONAL DATA

AFS silencers are built to match the fan diameter duct dimensions, therefore the diameter and length dimensions for the silencer must always be specified.



Diameter 1		Diameter 2		Length		Casing Size		Minimum Casing Gauge
Min	Max	Min	Max	Min	Max	Min	Max	
18	30	23	38	18	60	29	41	22
31	66	39	83	62	120	42	80	18

1. All dimensions are in inches.
2. Length is typically 1, 1.5 or 2 times Dia. 1.
3. Diameter 2 = [ Dia. 1 x tan(7.5) ] x 2 + Dia. 1.
4. Casing Size = Dia. 2 + 6.
5. For sizes outside the standard range, please contact your local Price sales rep.



Product Improvement is a continuing endeavour at Price. Therefore, specifications are subject to change without notice. Consult your Price Sales Representative for current specifications or more detailed information. Not all products may be available in all geographic areas. All goods described in this document are warranted as described in the Limited Warranty shown at [priceindustries.com](http://priceindustries.com). The complete Price product catalog can be viewed online at [priceindustries.com](http://priceindustries.com).